

# 4312/4312B MkII R/L



**ACOUSTIC & ELECTRICAL SPECIFICATIONS:**

- Nominal Impedance: 6Ω
- Max Amp Power 150 watts\*
- Frequency Response 45 Hz – 22 kHz (-6dB)
- Sensitivity: 93dB@2.83 volts/1 meter
- Crossover Frequency: 2000Hz, 5000Hz

**SYSTEM COMPONENTS:**

- Cabinet 4312/4312B MkII R/L (Not for Sale)
- Grille:
  - Grill (Blk) 61989
  - Grill (Blue) 61989-01
- Low-Frequency Transducer 2213H
  - DC Resistance 5.0 Ω±10%
- Mid-Frequency Transducer 104H-3
  - DC Resistance 4.3 Ω±10%
- High-Frequency Transducer: 4312 MkII – 74856 (052Ti)
  - 4312B MkII – 68669-02 (A035TiA)
- DC Resistance 3.5 - 3.8 Ω
- Crossover Network 4312 MkII – 332276-001
  - 4312B MkII – 66324-0060

**AURAL SWEEP TEST SPECIFICATIONS:**

- System Aural Sweep Test 6.0V Input 40 Hz to 22 kHz
- L.F. Aural Sweep Test 5.0V Input 40 Hz to 2.5 kHz
- M.F. Aural Sweep Test 4.0V Input 1 kHz to 6 kHz
- H.F. Aural Sweep Test 2.83V Input 4 kHz to 22 kHz

**PHYSICAL SPECIFICATIONS:**

- Enclosure dimensions: 23-1/2" x 14-1/4" x 11-3/4" (597mm x 368mm x 298mm)
- Weight 48 lbs (21.7 kg) Each

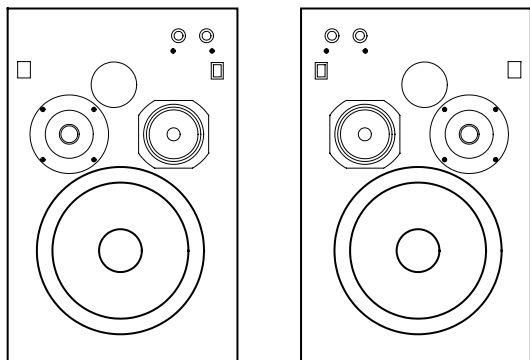
**WARRANTY:**

- Refer to Warranty Statement packed with each product.

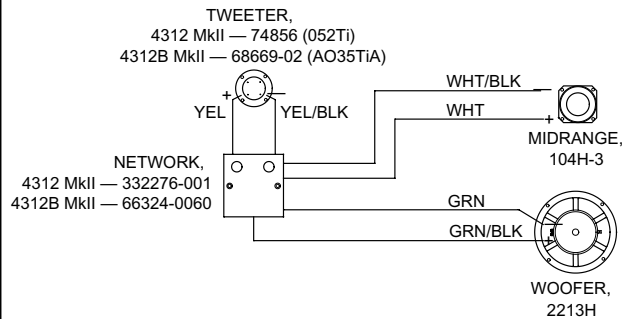
\* The maximum recommended amplifier power rating will ensure proper system headroom to allow for occasional peaks. We do not recommend sustained operation at these maximum power levels.

## PARTS LIST

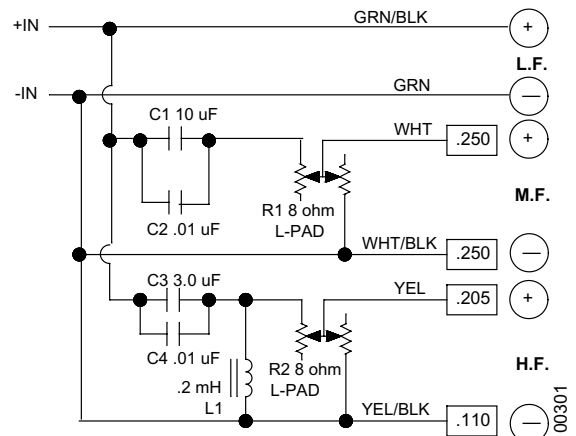
DESCRIPTION	PART NO.
WOOFER GASKET	32756-01
PORT TUBE	52211
GASKET (TWT)	66553
FLOWER POT	76041
OUTER CARTON	332269-001 (Walnut & Dark Grey)
	332269-002 (Grey)
	334889-001(Black)
WARRANTY CARD	331994-001
END PAD (2)	47218-01
T-NUT (4)	61861
DAMPING PAD	73906
DUAL TERMINAL	323892-001
FACEPLATE (TWT)	68643-02



## WIRING DIAGRAM



## 4312/4312B MkII R/L SCHEMATIC



4312/4312B MkII R/L